

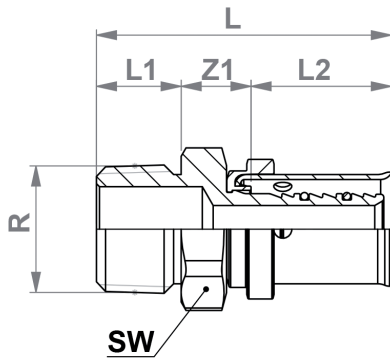


INSTALLATION DIMENSIONS / Z-DIMENSIONS

PIPETEC PRESSFITTINGS



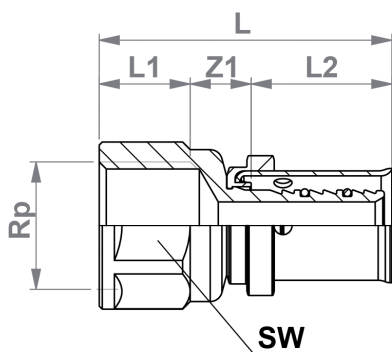
PRESS CONNECTOR WITH MALE THREAD



ITEM NO.	SIZE	MATERIAL	L mm	L1 mm	L2 mm	Z1 mm	SW mm	R "
PFUA1604	16 x 2 - 1/2"	Brass	48	14	23	11	24	1/2
PFUA1605	16 x 2 - 3/4"	Brass	51	16	23	12	27	3/4
PFUA2004	20 x 2 - 1/2"	Brass	48	14	23	11	24	1/2
PFUA2005	20 x 2 - 3/4"	Brass	51	16	23	12	27	3/4
PFUA2006	20 x 2 - 1"	Brass	57	20	23	14	36	1
PFUA2604	26 x 3 - 1/2"	Brass	48	14	23	11	24	1/2
PFUA2605	26 x 3 - 3/4"	Brass	51	16	23	12	27	3/4
PFUA2606	26 x 3 - 1"	Brass	57	20	23	14	36	1
PFUA3206	32 x 3 - 1"	Brass	57	20	23	14	36	1
PFUA3207	32 x 3 - 1 1/4"	Brass	59	22	23	14	46	1 1/4
PFUA4006	40 x 3,5 - 1"	Brass	56	20	23	14	36	1
PFUA4007	40 x 3,5 - 1 1/4"	Brass	59	22	23	14	46	1 1/4
PFUA5007	50 x 4 - 1 1/4"	Brass	71	22	35	14	46	1 1/4
PFUA5008	50 x 4 - 1 1/2"	Brass	71	22	35	14	51	1 1/2
PFUA6309	63 x 4,5 - 2"	Brass	79	25	39	15	65	2



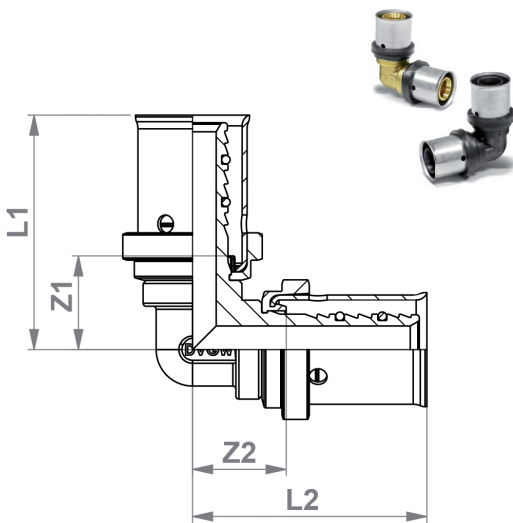
PRESS CONNECTOR WITH FEMALE THREAD



ITEM NO.	SIZE	MATERIAL	L mm	L1 mm	L2 mm	Z1 mm	SW mm	Rp "
PFUI1604	16 x 2 - 1/2"	Brass	48	16	23	9	25	1/2
PFUI1605	16 x 2 - 3/4"	Brass	51	17	23	11	32	3/4
PFUI2004	20 x 2 - 1/2"	Brass	47	16	23	8	27	1/2
PFUI2005	20 x 2 - 3/4"	Brass	50	17	23	10	32	3/4
PFUI2605	26 x 3 - 3/4"	Brass	49	17	23	9	32	3/4
PFUI2606	26 x 3 - 1"	Brass	54	21	23	10	41	1
PFUI3206	32 x 3 - 1"	Brass	53	21	23	9	41	1
PFUI3207	32 x 3 - 1 1/4"	Brass	57	23	23	11	50	1 1/4
PFUI4006	40 x 3,5 - 1"	Brass	53	21	23	9	38	1
PFUI4007	40 x 3,5 - 1 1/4"	Brass	59	23	23	13	50	1 1/4
PFUI4008	40 x 3,5 - 1 1/2"	Brass	59	23	23	13	55	1 1/2
PFUI5007	50 x 4 - 1 1/4"	Brass	66	23	35	8	50	1 1/4
PFUI5008	50 x 4 - 1 1/2"	Brass	67	23	35	9	55	1 1/2
PFUI6309	63 x 4,5 - 2"	Brass	72	27	39	6	65	2

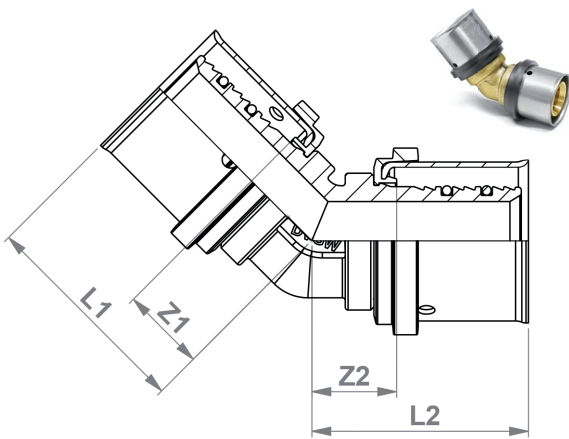


PRESS ELBOW 90°



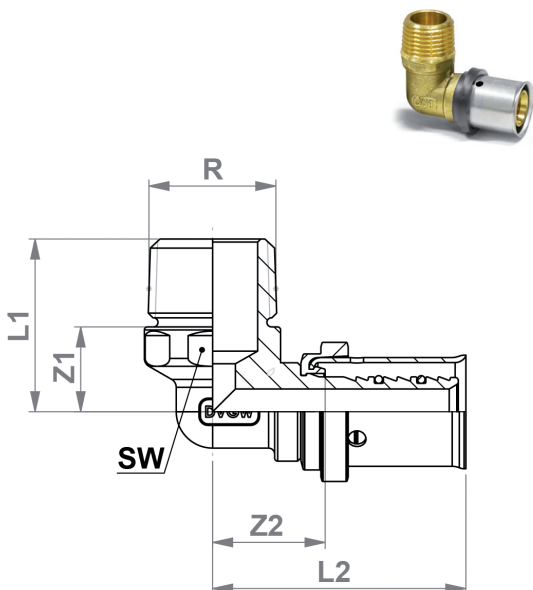
ITEM NO.	SIZE	MATERIAL	Z1 mm	L1 mm	Z2 mm	L2 mm
PFW1616	16 x 2	Brass	16	39	16	39
KPFW1616	16 x 2	PPSU	16	39	16	39
PFW2020	20 x 2	Brass	18	41	18	41
KPFW2020	20 x 2	PPSU	18	41	18	41
PFW2626	26 x 3	Brass	18	44	18	44
KPFW2626	26 x 3	PPSU	18	44	18	44
PFW3232	32 x 3	Brass	24	47	24	47
KPFW3232	32 x 3	PPSU	24	47	24	47
PFW4040	40 x 3,5	Brass	26	51	26	51
PFW5050	50 x 4	Brass	32	67	32	67
PFW6363	63 x 4,5	Brass	43	81	43	81

PRESS ELBOW 45°

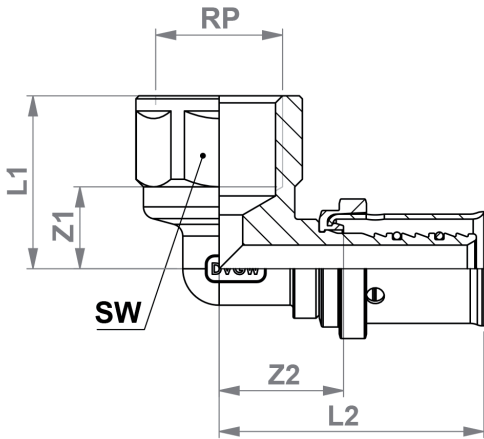


ITEM NO.	SIZE	MATERIAL	L1 mm	Z1 mm	L2 mm	Z2 mm
PFWH2626	26 x 3	Brass	38	15	38	15
PFWH3232	32 x 3	Brass	39	16	39	16
PFWH4040	40 x 3,5	Brass	45	22	45	22
PFWH5050	50 x 4	Brass	57	22	57	22
PFWH6363	63 x 4,5	Brass	62,5	24	62,5	24

PRESS ELBOW WITH MALE THREAD



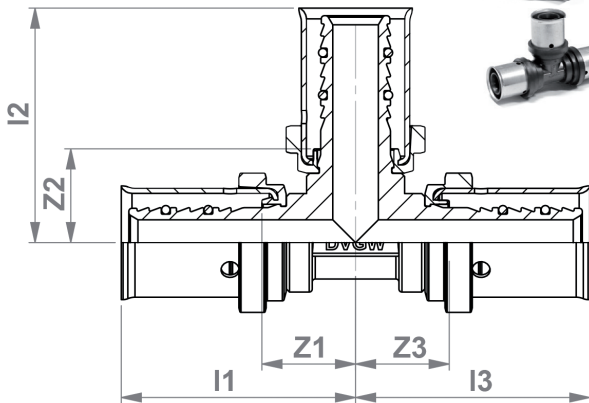
ITEM NO.	SIZE	MATERIAL	L mm	L1 mm	L2 mm	Z1 mm	SW mm	Rp "
PFWA1604	16 x 2 - 1/2"	Brass	30	16	41	18	22	1/2
PFWA1605	16 x 2 - 3/4"	Brass	32	16	45	22	27	3/4
PFWA2004	20 x 2 - 1/2"	Brass	32	18	42	19	22	1/2
PFWA2005	20 x 2 - 3/4"	Brass	34	18	44	21	27	3/4
PFWA2605	26 x 3 - 3/4"	Brass	34	18	44	21	27	3/4
PFWA2606	26 x 3 - 1"	Brass	42	22	48	25	34	1
PFWA3206	32 x 3 - 1"	Brass	45	25	48	25	34	1
PFWA4007	40 x 3,5 - 1 1/4"	Brass	56	34	53	30	43	1 1/4
PFWA5007	50 x 4 - 1 1/4"	Brass	61	39	65	30	43	1 1/4
PFWA5008	50 x 4 - 1 1/2"	Brass	61	39	68	33	50	1 1/2
PFWA6309	63 x 4,5 - 2"	Brass	70	45	78	39	60	2



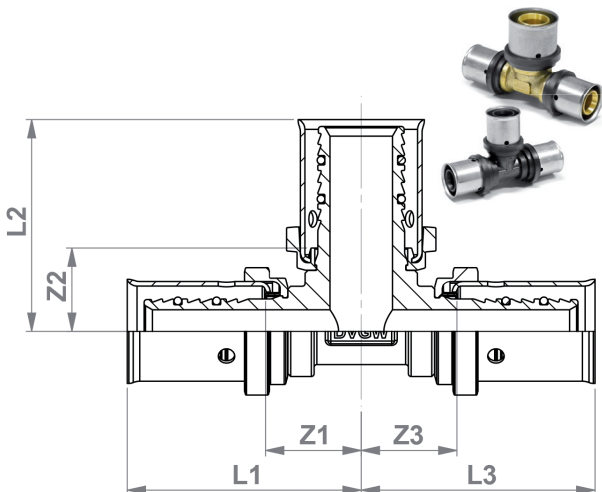
PRESS ELBOW WITH FEMALE THREAD



ITEM NO.	SIZE	MATERIAL	L1 mm	Z1 mm	L2 mm	Z2 mm	SW mm	Rp "
PFWI1604	16 x 2 - 1/2"	Brass	29	13	45	22	27	1/2
PFWI1605	16 x 2 - 3/4"	Brass	32	15	48	25	33	3/4
PFWI2004	20 x 2 - 1/2"	Brass	31	15	45	22	27	1/2
PFWI2005	20 x 2 - 3/4"	Brass	33	16	48	25	33	3/4
PFWI2605	26 x 3 - 3/4"	Brass	34	17	48	25	33	3/4
PFWI2606	26 x 3 - 1"	Brass	41	20	53	30	41	1
PFWI3206	32 x 3 - 1"	Brass	42	21	53	30	41	1
PFWI4007	40 x 3,5 - 1 1/4"	Brass	50	27	58	35	50	1 1/4
PFWI5007	50 x 4 - 1 1/4"	Brass	51	28	72	37	50	1 1/4
PFWI5008	50 x 4 - 1 1/2"	Brass	52	29	73	38	56	1 1/2
PFWI6309	63 x 4,5 - 2"	Brass	62	35	81	42	67	2



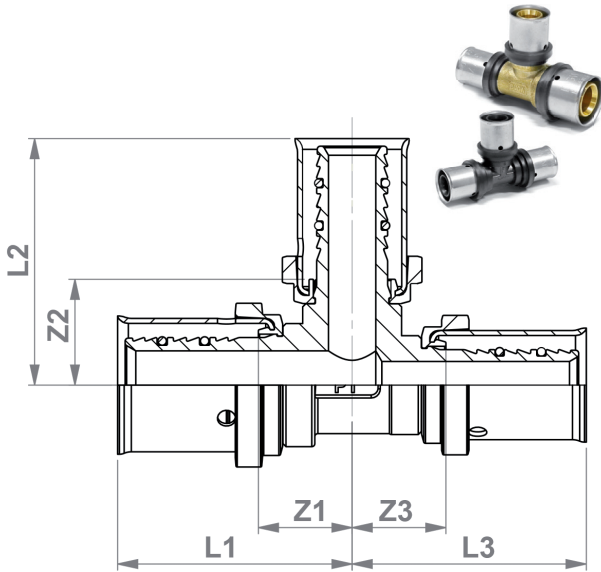
PRESS T-CONNECTOR



PRESS T-CONNECTOR, ENLARGED CENTRAL OUTLET



ITEM NO.	SIZE	MATERIAL	L1 mm	Z1 mm	L2 mm	Z2 mm	L3 mm	Z3 mm
PFT162016	16 x 2 - 20 x 2 - 16 x 2	Brass	40	17	38	15	40	17
KPFT162016	16 x 2 - 20 x 2 - 16 x 2	PPSU	40	17	38	15	40	17
PFT202620	20 x 2 - 26 x 3 - 20 x 2	Brass	43	20	41	8	43	20
KPFT202620	20 x 2 - 26 x 3 - 20 x 2	PPSU	43	20	41	8	43	20
PFT263226	26 x 3 - 32 x 3 - 26 x 3	Brass	45	22	43	20	45	22
PFT324032	32 x 3 - 40 x 3,5 - 32 x 3	Brass	49	26	45	22	49	26



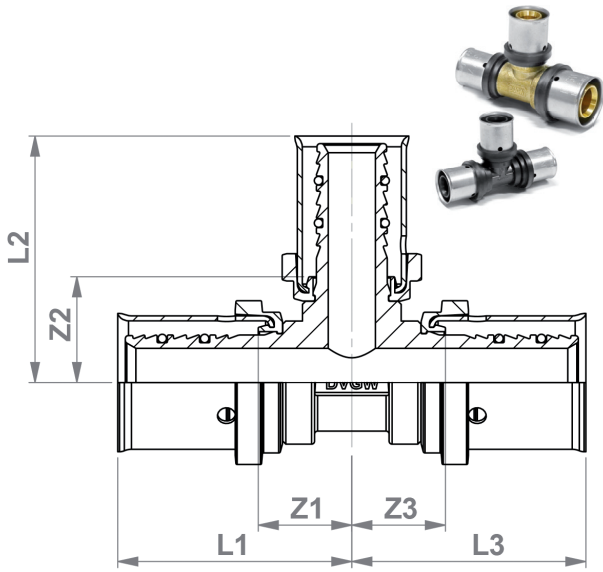
PRESS REDUCED T-CONNECTOR



ITEM NO.	SIZE	MATERIAL	L1 mm	Z1 mm	L2 mm	Z2 mm	L3 mm	Z3 mm
PFT201616	20 x 2 - 16 x 2 - 16 x 2	Brass	38	15	40	17	39	16
KPFT201616	20 x 2 - 16 x 2 - 16 x 2	PPSU	38	15	40	17	39	16
PFT202016	20 x 2 - 20 x 2 - 16 x 2	Brass	40	17	40	17	41	18
KPFT202016	20 x 2 - 20 x 2 - 16 x 2	PPSU	40	17	40	17	41	18
PFT261620	26 x 3 - 16 x 2 - 20 x 2	Brass	39	16	43	20	38	15
KPFT261620	26 x 3 - 16 x 2 - 20 x 2	PPSU	39	16	43	20	38	15
PFT262016	26 x 3 - 20 x 2 - 16 x 2	Brass	41	18	44	21	39	16
KPFT262016	26 x 3 - 20 x 2 - 16 x 2	PPSU	41	18	44	21	39	16
PFT262020	26 x 3 - 20 x 2 - 20 x 2	Brass	41	18	43	20	40	17
KPFT262020	26 x 3 - 20 x 2 - 20 x 2	PPSU	41	18	43	20	40	17
PFT262616	26 x 3 - 26 x 3 - 16 x 2	Brass	44	21	43	20	43	20
KPFT262616	26 x 3 - 26 x 3 - 16 x 2	PPSU	44	21	43	20	43	20
PFT262620	26 x 3 - 26 x 3 - 20 x 2	Brass	44	21	43	20	43	20
KPFT262620	26 x 3 - 26 x 3 - 20 x 2	PPSU	44	21	43	20	43	20
PFT322020	32 x 3 - 20 x 2 - 20 x 2	Brass	41	18	47	24	41	18
PFT322026	32 x 3 - 20 x 2 - 26 x 3	Brass	41	18	47	24	41	18
PFT322626	32 x 3 - 26 x 3 - 26 x 3	Brass	44	21	47	24	43	20
KPFT322626	32 x 3 - 26 x 3 - 26 x 3	PPSU	44	21	47	24	43	20
PFT323220	32 x 3 - 32 x 3 - 20 x 2	Brass	47	24	47	24	46	23
PFT323226	32 x 3 - 32 x 3 - 26 x 3	Brass	47	24	47	24	46	23
PFT402632	40 x 3.5 - 26 x 3 - 32 x 3	Brass	43	20	49	26	42	19
PFT403232	40 x 3.5 - 32 x 3 - 32 x 3	Brass	47	24	50	27	46	23
PFT404026	40 x 3.5 - 40 x 3.5 - 26 x 3	Brass	49	26	49	26	49	26
PFT404032	40 x 3.5 - 40 x 3.5 - 32 x 3	Brass	49	26	49	26	49	26
PFT503240	50 x 4 - 32 x 3 - 40 x 3.5	Brass	58	23	54	31	46	23
PFT504040	50 x 4 - 40 x 3.5 - 40 x 3.5	Brass	61	26	54	31	50	27
PFT505032	50 x 4 - 50 x 4 - 32 x 3	Brass	67	32	67	32	55	32
PFT505040	50 x 4 - 50 x 4 - 40 x 3.5	Brass	67	32	67	32	56	33
PFT634050	63 x 4.5 - 40 x 3.5 - 50 x 4	Brass	65	26	61	38	61	26
PFT635050	63 x 4.5 - 50 x 4 - 50 x 4	Brass	71	32	73	38	66	31
PFT636340	63 x 4.5 - 63 x 4.5 - 40 x 3.5	Brass	77	38	77	38	62	39
PFT636350	63 x 4.5 - 63 x 4.5 - 50 x 4	Brass	77	38	77	38	73	38

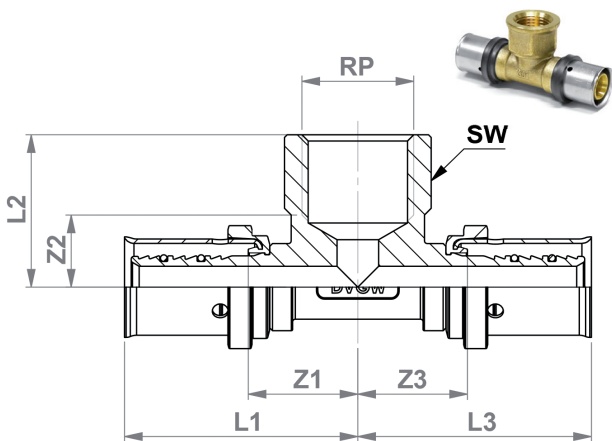


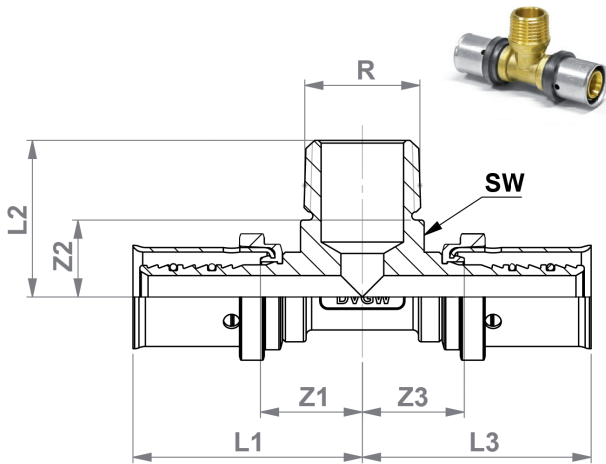
PRESS T-CONNECTOR, REDUCING CENTRAL OUTLET



ITEM NO.	SIZE	MATERIAL	L1 mm	Z1 mm	L2 mm	Z2 mm	L3 mm	Z3 mm
PFT201620	20 x 2 - 16 x 2 - 20 x 2	Brass	38	15	41	18	38	15
KPFT201620	20 x 2 - 16 x 2 - 20 x 2	PPSU	39	16	43	20	38	15
PFT261626	26 x 3 - 16 x 2 - 26 x 3	Brass	39	16	44	21	39	16
KPFT261626	26 x 3 - 16 x 2 - 26 x 3	PPSU	39	16	44	21	39	16
PFT262026	26 x 3 - 20 x 2 - 26 x 3	Brass	41	18	44	21	41	18
KPFT262026	26 x 3 - 20 x 2 - 26 x 3	PPSU	41	18	44	21	41	18
PFT321632	32 x 3 - 16 x 2 - 32 x 3	Brass	39	16	47	24	39	16
KPFT321632	32 x 3 - 16 x 2 - 32 x 3	PPSU	39	16	47	24	39	16
PFT322032	32 x 3 - 20 x 2 - 32 x 3	Brass	41	18	47	24	41	18
KPFT322032	32 x 3 - 20 x 2 - 32 x 3	PPSU	41	18	47	24	41	18
PFT322632	32 x 3 - 26 x 3 - 32 x 3	Brass	42	19	47	24	42	19
KPFT322632	32 x 3 - 26 x 3 - 32 x 3	PPSU	42	19	47	24	42	19
PFT402040	40 x 3,5 - 20 x 2 - 40 x 3,5	Brass	41	18	49	26	41	18
PFT402640	40 x 3,5 - 26 x 3 - 40 x 3,5	Brass	43	20	49	26	43	20
PFT403240	40 x 3,5 - 32 x 3 - 40 x 3,5	Brass	46	23	49	26	46	23
PFT502650	50 x 4 - 26 x 3 - 50 x 4	Brass	55	20	56	33	55	20
PFT503250	50 x 4 - 32 x 3 - 50 x 4	Brass	58	23	56	33	58	23
PFT504050	50 x 4 - 40 x 3,5 - 50 x 4	Brass	62	27	56	33	62	27
PFT633263	63 x 4,5 - 32 x 3 - 63 x 4,5	Brass	62	23	61	38	62	23
PFT634063	63 x 4,5 - 40 x 3,5 - 63 x 4,5	Brass	66	27	62	39	66	27
PFT635063	63 x 4,5 - 50 x 4 - 63 x 4,5	Brass	71	32	72	37	71	32

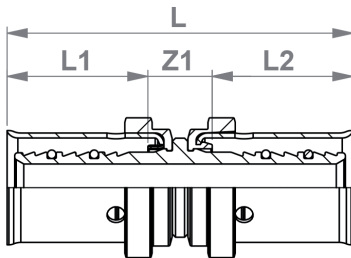
PRESS T-CONNECTOR WITH FEMALE THREAD





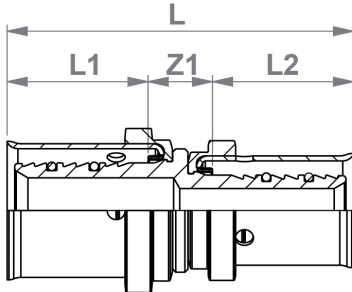
PRESS T-CONNECTOR WITH MALE THREAD

ITEM NO.	SIZE	MATERIAL	L1 mm	Z1 mm	L2 mm	Z2 mm	Z3 mm	L3 mm	Rp "	SW mm
PFTA160416	16 x 2 - 1/2" - 16 x 2	Brass	42	19	30	16	42	19	1/2	21
PFTA200420	20 x 2 - 1/2" - 20 x 2	Brass	42	19	32	18	42	19	1/2	21
PFTA200520	20 x 2 - 3/4" - 20 x 2	Brass	45	22	34	18	45	22	3/4	27
PFTA260426	26 x 3 - 1/2" - 26 x 3	Brass	41	18	34	18	41	18	1/2	21
PFTA260526	26 x 3 - 3/4" - 26 x 3	Brass	44	21	36	20	44	21	3/4	27
PFTA260626	26 x 3 - 1" - 26 x 3	Brass	49	26	42	22	49	26	1	34
PFTA320532	32 x 3 - 3/4" - 32 x 3	Brass	45	22	40	24	45	22	3/4	27
PFTA320632	32 x 3 - 1" - 32 x 3	Brass	49	26	45	25	49	26	1	34
PFTA320732	32 x 3 - 1 1/4" - 32 x 3	Brass	53	30	52	30	53	30	1 1/4	43
PFTA400640	40 x 3,5 - 1" - 40 x 3,5	Brass	49	26	48	28	49	26	1	34
PFTA500750	50 x 4 - 1 1/4" - 50 x 4	Brass	65	30	62	40	65	30	1 1/4	43
PFTA500850	50 x 4 - 1 1/2" - 50 x 4	Brass	68	33	62	40	68	33	1 1/2	50
PFTA630963	63 x 4,5 - 2" - 63 x 4,5	Brass	78	39	69	44	78	39	2	60



PRESS COUPLING

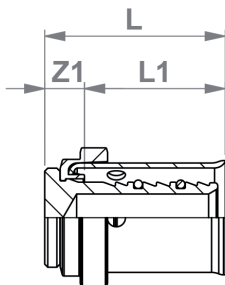
ITEM NO.	SIZE	MATERIAL	L mm	L1 mm	L2 mm	Z1 mm
PFK1616	16 x 2 - 16 x 2	Brass	57	23	23	11
KPFK1616	16 x 2 - 16 x 2	PPSU	57	23	23	11
PFK2020	20 x 2 - 20 x 2	Brass	57	23	23	11
KPFK2020	20 x 2 - 20 x 2	PPSU	57	23	23	11
PFK2626	26 x 3 - 26 x 3	Brass	57	23	23	11
KPFK2626	26 x 3 - 26 x 3	PPSU	57	23	23	11
PFK3232	32 x 3 - 32 x 3	Brass	58	23	23	12
KPFK3232	32 x 3 - 32 x 3	PPSU	58	23	23	12
PFK4040	40 x 3,5 - 40 x 3,5	Brass	59	23	23	13
PFK5050	50 x 4 - 50 x 4	Brass	83	35	35	13
PFK6363	63 x 4,5 - 63 x 4,5	Brass	90	38,5	38,5	13



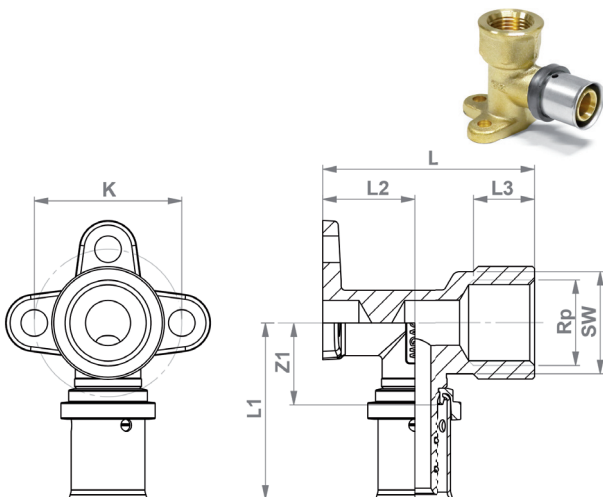
PRESS REDUCED COUPLING



ITEM NO.	SIZE	MATERIAL	L mm	L1 mm	L2 mm	L1 mm
PFK2016	20 x 2 - 16 x 2	Brass	57	23	23	11
KPFK2016	20 x 2 - 16 x 2	PPSU	57	23	23	11
PFK2616	26 x 3 - 16 x 2	Brass	57	23	23	11
PFK2620	26 x 3 - 20 x 2	Brass	57	23	23	11
KPFK2620	26 x 3 - 20 x 2	PPSU	57	23	23	11
PFK3216	32 x 3 - 16 x 2	Brass	58	23	23	12
PFK3220	32 x 3 - 20 x 2	Brass	58	23	23	12
PFK3226	32 x 3 - 26 x 3	Brass	58	23	23	12
KPFK3226	32 x 3 - 26 x 3	PPSU	58	23	23	12
PFK4026	40 x 3,5 - 26 x 3	Brass	59	23	23	13
PFK4032	40 x 3,5 - 32 x 3	Brass	59	23	23	13
PFK5032	50 x 4 - 32 x 3	Brass	71	35	23	13
PFK5040	50 x 4 - 40 x 3,5	Brass	71	35	23	13
PFK6340	63 x 4,5 - 40 x 3,5	Brass	75	39	23	13
PFK6350	63 x 4,5 - 50 x 4	Brass	87	39	35	13



PRESS END PLUG



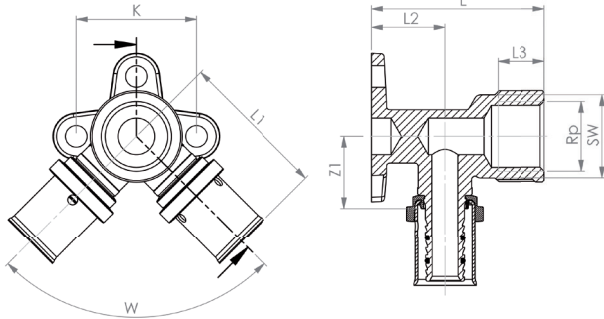
PRESS WALL ELBOW



ITEM NO.	SIZE	MATERIAL	L1 mm	Z1 mm	L2 mm	L3 mm	L mm	K mm	Rp "	SW mm
PFWWK1603	16 x 2 - 3/8" - 39 mm	Brass	44	21	175	14	39	36	3/8	25
PFWWK1604	16 x 2 - 1/2" - 39 mm	Brass	46	23	175	14	39	36	1/2	27
PFWWM1604	16 x 2 - 1/2" - 52 mm	Brass	46	23	225	14	52	36	1/2	27
PFWWL1604	16 x 2 - 1/2" - 78 mm	Brass	46	23	225	14	78	36	1/2	27
PFWWM2004	20 x 2 - 1/2" - 52 mm	Brass	46	23	225	14	52	36	1/2	27
PFWWL2004	20 x 2 - 1/2" - 78 mm	Brass	46	23	225	14	78	36	1/2	27
PFWWM2005	20 x 2 - 3/4" - 52 mm	Brass	48	23	225	14	78	36	1/2	27
PFWWM2605	26 x 3 - 3/4" - 52 mm	Brass	48	25	225	16	52	36	3/4	33



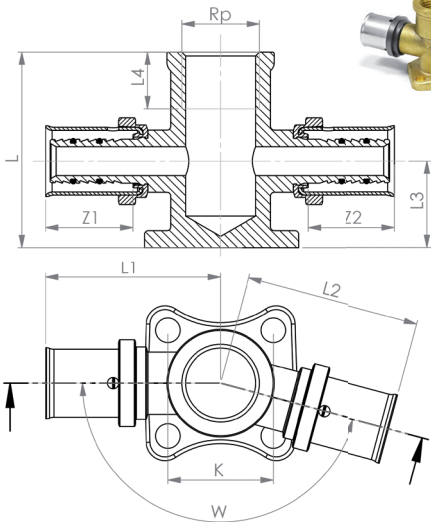
**PRESS WALL ELBOW
DOUBLE – V-SHAPED**



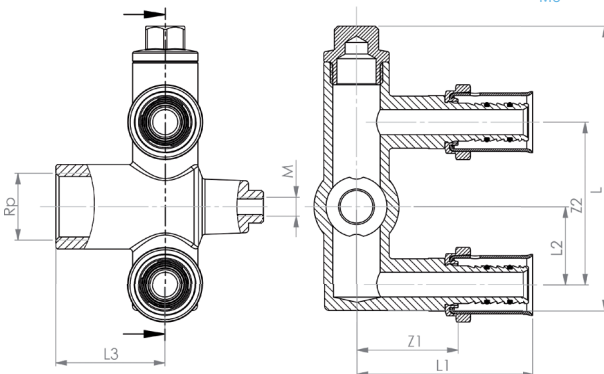
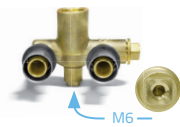
ITEM NO.	SIZE	MATERIAL	L1 mm	Z1 mm	L2 mm	L mm	L3 mm	Rp "	SW mm	W mm	K mm
PFWW160416	16 x 2 - 1/2" - 16 x 2	Brass	45	22	22	52	14	1/2	27	90	36
PFWW200420	20 x 2 - 1/2" - 20 x 2	Brass	45	22	24	52	14	1/2	27	90	36



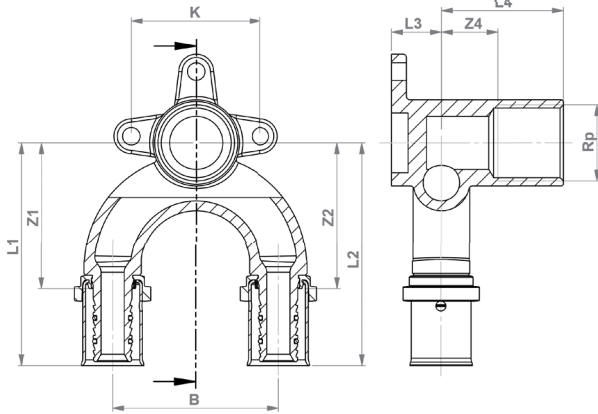
**PRESS WALL ELBOW
DOUBLE – SERIES SHAPED**



**PRESS WALL ELBOW
DOUBLE – U-SHAPED**



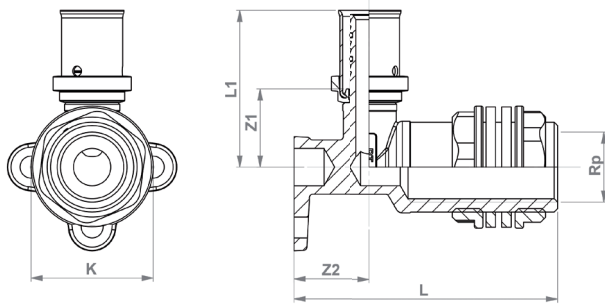
ITEM NO.	SIZE	MATERIAL	L1 mm	Z1 mm	L2 mm	Z2 mm	L mm	Rp "	M mm	L3 mm
PFWWU160416	16 x 2 - 1/2" - 16 x 2	Brass	54	31	24	50	88	1/2	6	34
PFWWU200420	20 x 2 - 1/2" - 20 x 2	Brass	54	31	24	50	88	1/2	6	34



PRESS WALL ELBOW DOUBLE – U-SHAPED CURVED



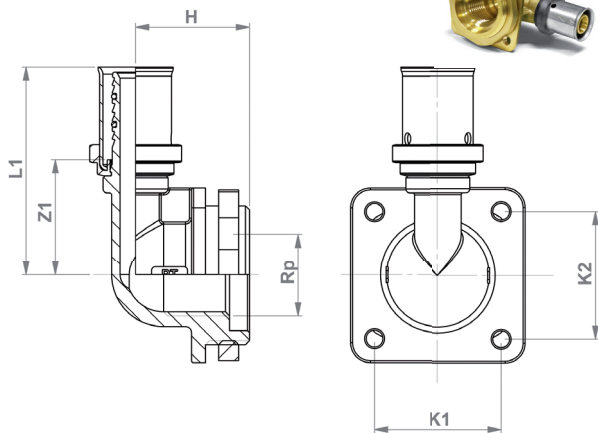
ITEM NO.	SIZE	MATERIAL	L1 mm	Z1 mm	L2 mm	Z2 mm	B mm	K mm	Rp "	L3 mm	L4 mm	Z4 mm
PFWWUSA160416	16 x 2 - 1/2" - 16 x 2	Brass	67	44	67	44	50	39	1/2	15	37	17
PFWWUSA200420	20 x 2 - 1/2" - 20 x 2	Brass	67	44	67	44	50	39	1/2	15	37	17



PRESS WALL BUSHING WITH FEMALE THREAD



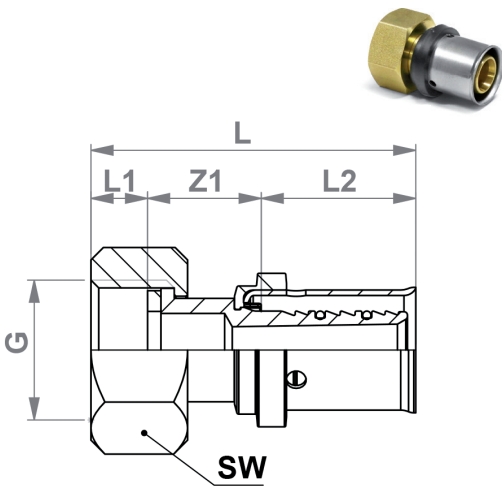
ITEM NO.	SIZE	MATERIAL	L1 mm	Z1 mm	L mm	Z2 mm	Rp "	K mm
PFWDF1604	16 x 2 mm - 1/2"	Brass	46	23	78	225	1/2	36
PFWDF2004	20 x 2 mm - 1/2"	Brass	46	23	78	225	1/2	36



PRESS TOILET CONNECTION



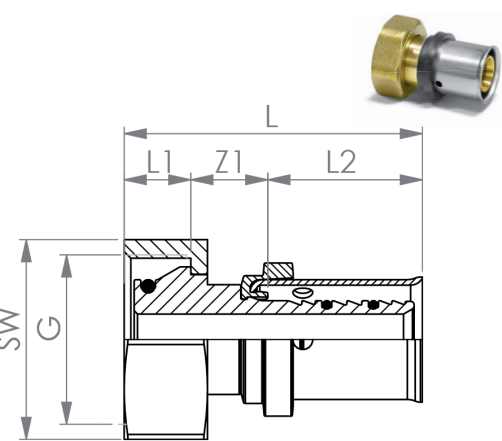
ITEM NO.	SIZE	MATERIAL	L1 mm	Z1 mm	H mm	Rp "	K1 mm	K2 mm
PFTC16	16 x 2 mm - 1/2"	Brass	52	29	285	1/2	32	32



PRESS CONNECTOR SCREW CONNECTOR WITH FEMALE THREAD



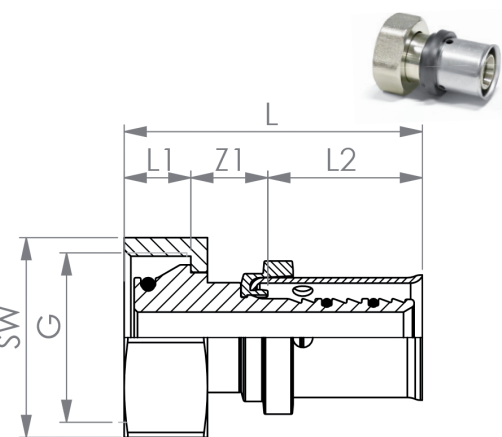
ITEM NO.	SIZE	MATERIAL	L1 mm	Z1 mm	L2 mm	L mm	G "	SW mm
PFV1604	16 x 2 - 1/2"	Brass	9	17	23	49	1/2	27
PFV1605	16 x 2 - 3/4"	Brass	8	15	23	46	3/4	32
PFV2004	20 x 2 - 1/2"	Brass	9	17	23	49	1/2	27
PFV2005	20 x 2 - 3/4"	Brass	9	17	23	49	3/4	32
PFV2006	20 x 2 - 1"	Brass	10	19	23	53	1	40
PFV2008	20 x 2 - 1 1/2"	Brass	10	13	23	46	1 1/2	52
PFV2605	26 x 3 - 3/4"	Brass	8	18	23	49	3/4	32
PFV2606	26 x 3 - 1"	Brass	10	21	23	54	1	40
PFV2608	26 x 3 - 1 1/2"	Brass	10	13	23	46	1 1/2	54
PFV3206	32 x 3 - 1"	Brass	10	19	23	53	1	40
PFV3207	32 x 3 - 1 1/4"	Brass	10	19	23	53	1 1/4	48
PFV3208	32 x 3 - 1 1/2"	Brass	10	20	23	53	1 1/2	54
PFV4007	40 x 3,5 - 1 1/4"	Brass	10	22	23	55	1 1/4	48
PFV4008	40 x 3,5 - 1 1/2"	Brass	10	20	23	53	1 1/2	52
PFV5009	50 x 4 - 2"	Brass	13	25	35	73	2	66
PFV6310	63 x 4,5 - 2 1/2"	Brass	19	34	39	92	2 1/2	82



PRESS CONNECTOR SCREW CONNECTOR WITH EUROCONE THREAD

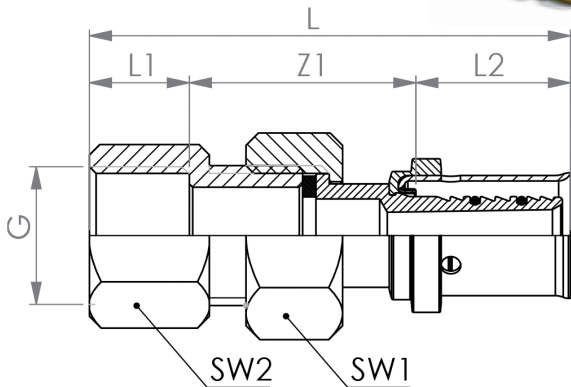


ITEM NO.	SIZE	MATERIAL	L mm	L1 mm	L2 mm	Z1 mm	G mm	SW mm
PFV1605EK	16 x 2 - 3/4"	Brass	45	10	23	12	3/4	30
PFV2005EK	20 x 2 - 3/4"	Brass	47	10	23	14	3/4	30



PRESS CONNECTOR SCREW CONNECTOR WITH EUROCONE THREAD, NICKEL-PLATED

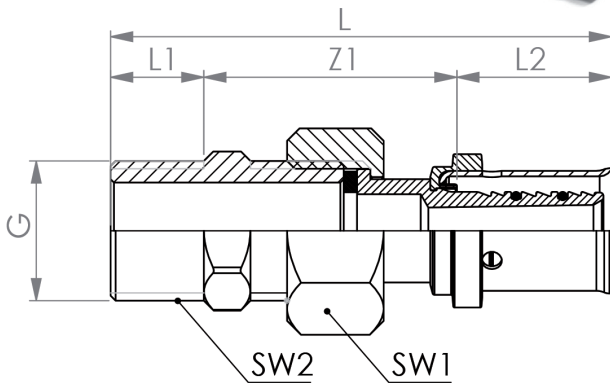
ITEM NO.	SIZE	MATERIAL	L mm	L1 mm	L2 mm	Z1 mm	G mm	SW mm
PFV1605EK	16 x 2 - 3/4"	Brass, Nickel-plated	45	10	23	12	3/4	30
PFV2005EK	20 x 2 - 3/4"	Brass, Nickel-plated	47	10	23	14	3/4	30



PRESS CONNECTOR SCREW CONNECTOR WITH FEMALE THREAD



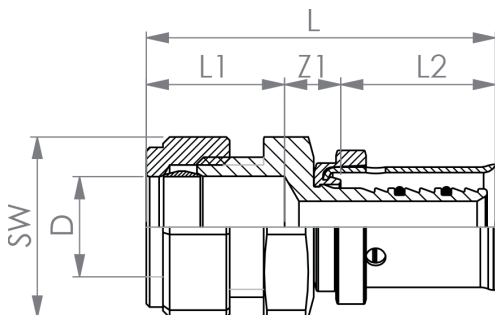
ITEM NO.	SIZE	MATERIAL	L1 mm	Z1 mm	L2 mm	L mm	G mm	SW1 mm	SW2 mm
PFV1604IG	16 x 2 - 1/2"	Brass	15	34	23	72	1/2	27	24
PFV1605IG	16 x 2 - 3/4"	Brass	16	33	23	72	3/4	32	31
PFV2004IG	20 x 2 - 1/2"	Brass	15	35	23	73	1/2	27	24
PFV2005IG	20 x 2 - 3/4"	Brass	16	34	23	73	3/4	32	31
PFV2605IG	26 x 3 - 3/4"	Brass	16	35	23	74	3/4	32	31
PFV2606IG	26 x 3 - 1"	Brass	16	40	23	79	1	40	37
PFV3206IG	32 x 3 - 1"	Brass	16	42	23	81	1	40	37
PFV3207IG	32 x 3 - 1 1/4"	Brass	17	40	23	80	1 1/4	48	46



PRESS CONNECTOR SCREW CONNECTOR WITH MALE THREAD



ITEM NO.	SIZE	MATERIAL	L1 mm	Z1 mm	L2 mm	L mm	G mm	SW1 mm	SW2 mm
PFV1604AG	16 x 2 - 1/2"	Brass	14	38	23	75	1/2	27	21
PFV1605AG	16 x 2 - 3/4"	Brass	15	37	23	75	3/4	32	27
PFV2004AG	20 x 2 - 1/2"	Brass	14	39	23	76	1/2	27	21
PFV2005AG	20 x 2 - 3/4"	Brass	15	38	23	76	3/4	32	32
PFV2605AG	26 x 3 - 3/4"	Brass	15	40	23	78	3/4	32	27
PFV2606AG	26 x 3 - 1"	Brass	16	44	23	83	1	40	35
PFV3206AG	32 x 3 - 1"	Brass	16	45	23	84	1	40	35
PFV3207AG	32 x 3 - 1 1/4"	Brass	16	43	23	82	1 1/4	48	44

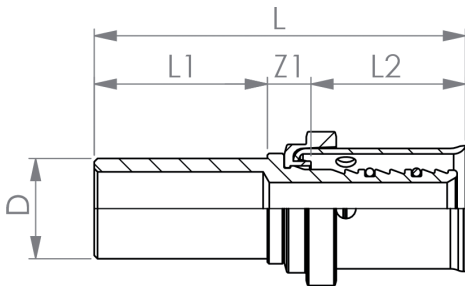


PRESS CONNECTOR ON COPPER PIPE SCREW CONNECTION

ITEM NO.	SIZE	MATERIAL	L mm	L1 mm	L2 mm	Z1 mm	D mm	SW mm
PFUEK1615	16 x 2 - 15 mm	Brass	51	20	23	8	15	25
PFUEK2018	20 x 2 - 18 mm	Brass	54	22	23	9	18	28
PFUEK2022	20 x 2 - 22 mm	Brass	54	22	23	9	22	35
PFUEK2622	26 x 3 - 22 mm	Brass	54	22	23	9	22	35
PFUEK2628	26 x 3 - 28 mm	Brass	56	22	23	11	28	40
PFUEK3228	32 x 3 - 28 mm	Brass	57	22	23	12	28	40
PFUEK3235	32 x 3 - 35 mm	Brass	59	25	23	11	35	49
PFUEK4035	40 x 3,5 - 35 mm	Brass	59	25	23	11	35	49



PRESS CONNECTOR ON COPPER PIPE NICKEL-PLATED – PRESS CONNECTION

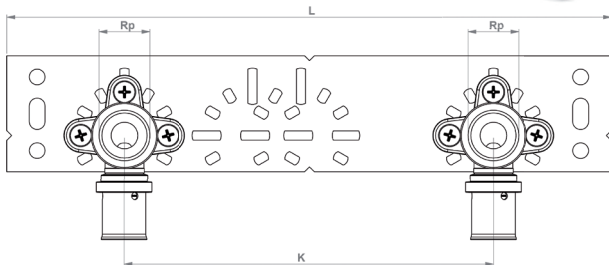


ITEM NO.	SIZE	MATERIAL	L mm	L1 mm	L2 mm	Z1 mm	D mm
PFUEK1615	16 x 2 - 15 mm	Brass, Nickel-plated	56	26	23	7	15
PFUEK2018	20 x 2 - 18 mm	Brass, Nickel-plated	56	26	23	7	15
PFUEK2022	20 x 2 - 22 mm	Brass, Nickel-plated	56	26	23	7	18
PFUEK2622	26 x 3 - 22 mm	Brass, Nickel-plated	56	26	23	7	22
PFUEK2628	26 x 3 - 28 mm	Brass, Nickel-plated	56	26	23	7	22
PFUEK3228	32 x 3 - 28 mm	Brass, Nickel-plated	56	25	23	8	28



PRESS WALL ELBOW

MOUNTED ON MOUNTING PLATE INSIDE MICROMETER 153 MM

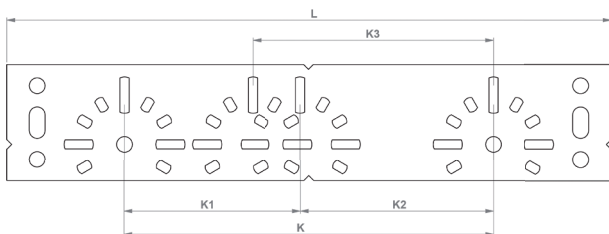


ITEM NO.	SIZE	MATERIAL	K mm	L mm	Rp "	Rp "
PFWWSET1604	16 x 2 - 1/2"	Brass / sheet metal DIN EN 10142	153	250	1/2	1/2
PFWWSET2004	20 x 2 - 1/2"	DX51 D+Z or plastic	153	250	1/2	1/2



MOUNTING PLATE

FOR WALL ELBOW, INSIDE MICROMETER 73, 80, 100, 153 MM

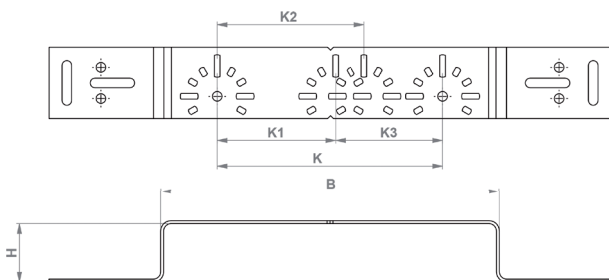


ITEM NO.	SIZE	MATERIAL	L mm	K mm	K1 mm	K2 mm	K3 mm
MP153	250 / 48 mm	Sheet metal DIN EN 10142 DX51 D+Z or plastic	250	153	73	80	100



MOUNTING PLATE

MOUNTED ON MOUNTING PLATE, ANGLED, INSIDE MICROMETER 153 MM

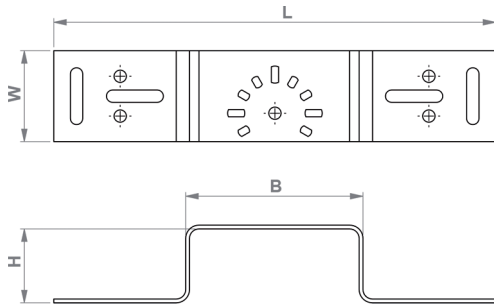


ITEM NO.	SIZE	MATERIAL	B mm	H mm	K mm	K1 mm	K2 mm	K3 mm
MPGU	385 mm	Sheet metal DIN EN 10142 DX51 D+Z	229	42	153	80	100	73



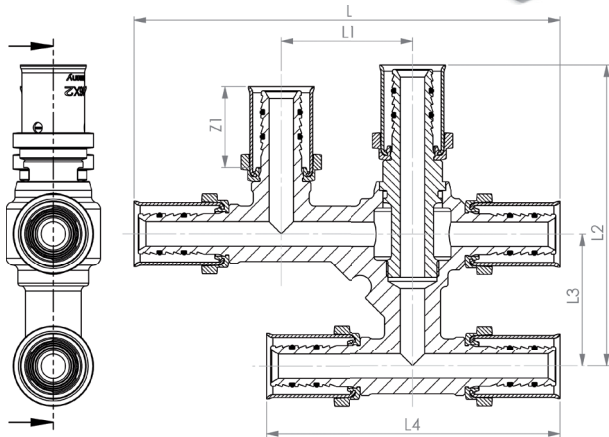
MOUNTING PLATE

FOR ONE WALL ELBOW



ITEM NO.	SIZE	MATERIAL	B mm	H mm	W mm	L mm
MPKU	228 mm, Installation 40 mm	Sheet metal DIN EN 10142 DX51 D+Z	94	39	48	228

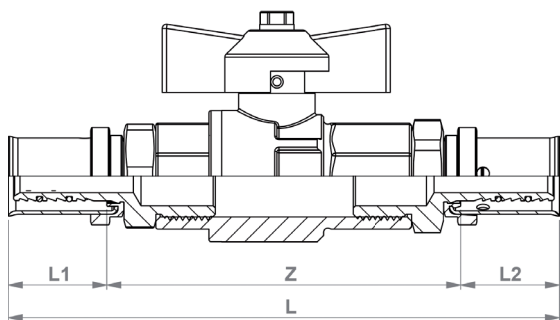
PRESS T-CONNECTOR, CROSS-FREE



ITEM NO.	SIZE	MATERIAL	L mm	L1 mm	Z1 mm	L2 mm	L3 mm	L4 mm
PFKFT161616	16 x 2 - 16 x 2 - 16 x 2	Brass	122	38	23	86	38	84
PFKFT201616	20 x 2 - 16 x 2 - 16 x 2	Brass	122	38	23	86	38	84
PFKFT201620	20 x 2 - 16 x 2 - 20 x 2	Brass	122	38	23	86	38	84
PFKFT202020	20 x 2 - 20 x 2 - 20 x 2	Brass	122	38	23	86	38	84

PRESS BALL VALVE

GREEN BUTTERFLY – HANDLE PLUMBING (DVGW CERTIFICATION)

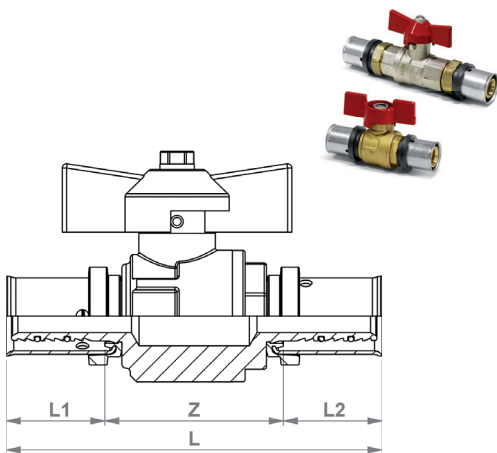


ITEM NO.	SIZE	MATERIAL	L1 mm	Z mm	L2 mm	L mm
PFKU16D	16 x 2	Brass	23	83	23	129
PFKU20D	20 x 2	Brass	23	84	23	130
PFKU26D	26 x 3	Brass	23	91	23	137
PFKU32D	32 x 3	Brass	23	113	23	159
PFKU40D	40 x 3,5	Brass	23	139	23	185
PFKU50D	50 x 4	Brass	35	154	35	224
PFKU63D	63 x 4,5	Brass	39	161	39	239



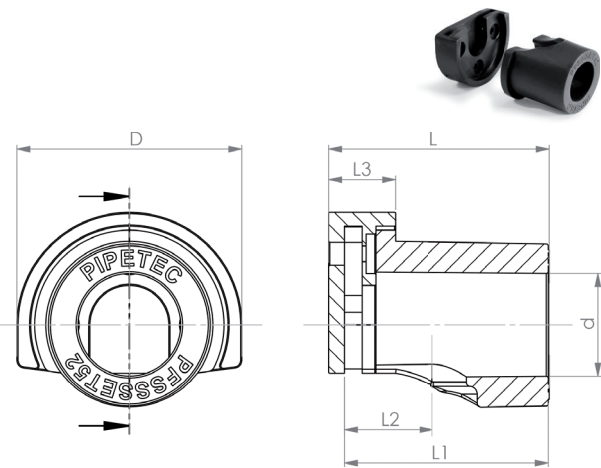
PRESS BALL VALVE

RED BUTTERFLY – HANDLE HEATING (NO DVGW CERTIFICATION)



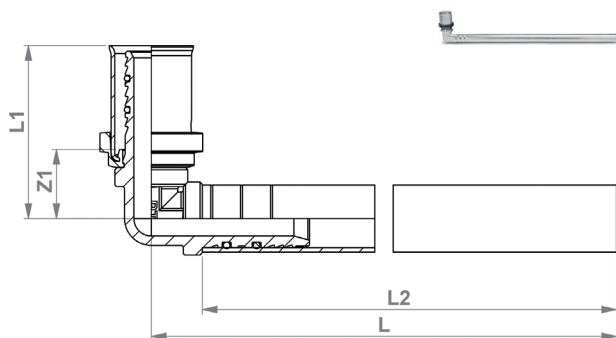
ITEM NO.	SIZE	MATERIAL	L1 mm	Z mm	L2 mm	L mm
PFKU16	16 x 2	Brass	23	39	23	85
PFKU20	20 x 2	Brass	23	40	23	86
PFKU26	26 x 3	Brass	23	45	23	91
PFKU32	32 x 3	Brass	23	106	23	152
PFKU40	40 x 3,5	Brass	23	120	23	166
PFKU50	50 x 4	Brass	35	126	35	196
PFKU63	63 x 4,5	Brass	39	148	39	226

SOUND INSULATION SET FOR WALL ELBOW



ITEM NO.	SIZE	MATERIAL	L mm	L1 mm	L2 mm	L3 mm	D mm	d mm
PFSSSET39	39 mm	TPE	43	39	17,5	17	57	26
PFSSSET52	52 mm	TPE	56	52	22,5	17	57	26
PFSSSET78	78 mm	TPE	82	78	22,5	17	57	26

PRESS RADIATOR CONNECTION ELBOW, NICKEL-PLATED



ITEM NO.	SIZE	MATERIAL	L1 mm	Z1 mm	L mm	L2 mm
PFHAW16300	16 x 2 - 15 mm - 300 mm	Brass/Copper nickel-plated	39	15	300	289
PFHAW20300	20 x 2 - 15 mm - 300 mm	Brass/Copper nickel-plated	41	17	300	287